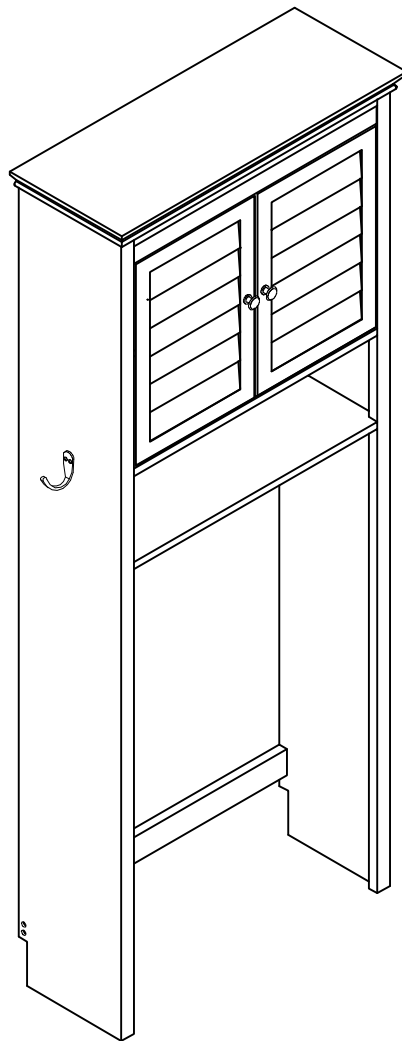
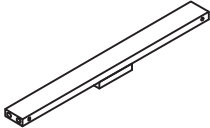
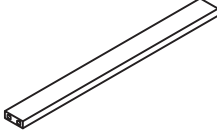
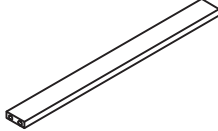
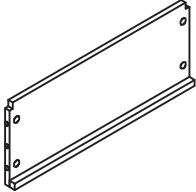
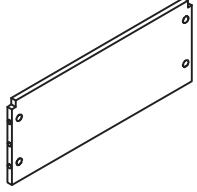
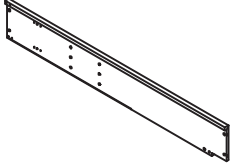
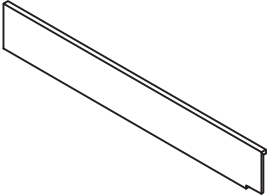
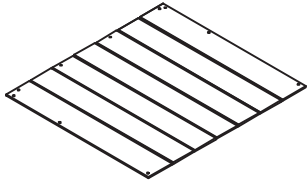
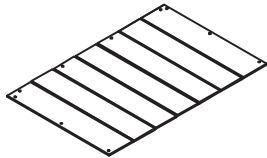
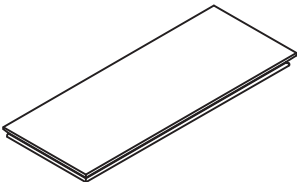
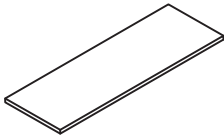
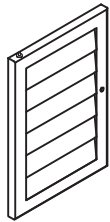
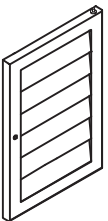





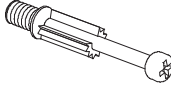
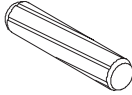
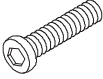

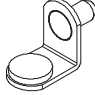
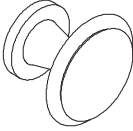

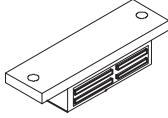
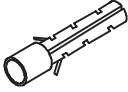
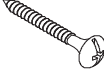


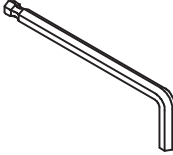
**Space Saver Bathroom Cabinet**  
**CF7002**






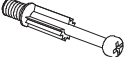


# PAR T LIST

 <p>Front Top Rail</p>	 <p>Back Top Rail</p>	 <p>Back Bottom Rail</p>			
<p><b>1</b></p>	<p><b>1pc</b></p>	<p><b>2</b></p>	<p><b>1pc</b></p>	<p><b>3</b></p>	<p><b>1pc</b></p>
 <p>Up Fixed Shelf</p>	 <p>Down Fixed Shelf</p>	 <p>Right Side Panel</p>			
<p><b>4</b></p>	<p><b>1pc</b></p>	<p><b>5</b></p>	<p><b>1pc</b></p>	<p><b>6</b></p>	<p><b>1pc</b></p>
 <p>Left Side Panel</p>	 <p>Up Back Panel</p>	 <p>Down Back Panel</p>			
<p><b>7</b></p>	<p><b>1pc</b></p>	<p><b>8</b></p>	<p><b>1pc</b></p>	<p><b>9</b></p>	<p><b>1pc</b></p>
 <p>Top Panel</p>	 <p>Shelf Panel</p>	 <p>Left Door</p>			
<p><b>10</b></p>	<p><b>1pc</b></p>	<p><b>11</b></p>	<p><b>1pc</b></p>	<p><b>12</b></p>	<p><b>1pc</b></p>
 <p>Right Door</p>					
<p><b>13</b></p>	<p><b>1pc</b></p>				

# HARDWARE LIST

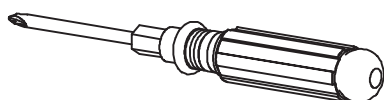
		
Cam Lock Ø15*12mm	Cam Bolt Ø6*42mm	Wood Dowel Ø8*30mm
<b>A</b>	<b>B</b>	<b>C</b>
<b>16pcs</b>	<b>16pcs</b>	<b>10pcs</b>
		
Bolt Ø6*25mm	Screw Ø3*15mm	Shelf Support Ø6.5mm
<b>D</b>	<b>E</b>	<b>F</b>
<b>4pcs</b>	<b>26pcs</b>	<b>4pcs</b>
		
Knob Ø29*27mm	Round Head Bolt Ø5/32"*19mm	Magnet L70*H12mm
<b>G</b>	<b>H</b>	<b>I</b>
<b>2pcs</b>	<b>2pcs</b>	<b>1pc</b>
		
Wall Anchor Ø8*38mm	Screw Ø4*38mm	Hook W40*38mm
<b>J</b>	<b>K</b>	<b>L</b>
<b>2pcs</b>	<b>2pcs</b>	<b>2pcs</b>
		
Screw Ø3*12mm	Allen Key 4mm	
<b>M</b>	<b>N</b>	
<b>4pcs</b>	<b>1pc</b>	

## EXTRA HARDWARE LIST

 AX 2	 CX 2	 EX 3
 BX 2	 DX 1	 MX 1

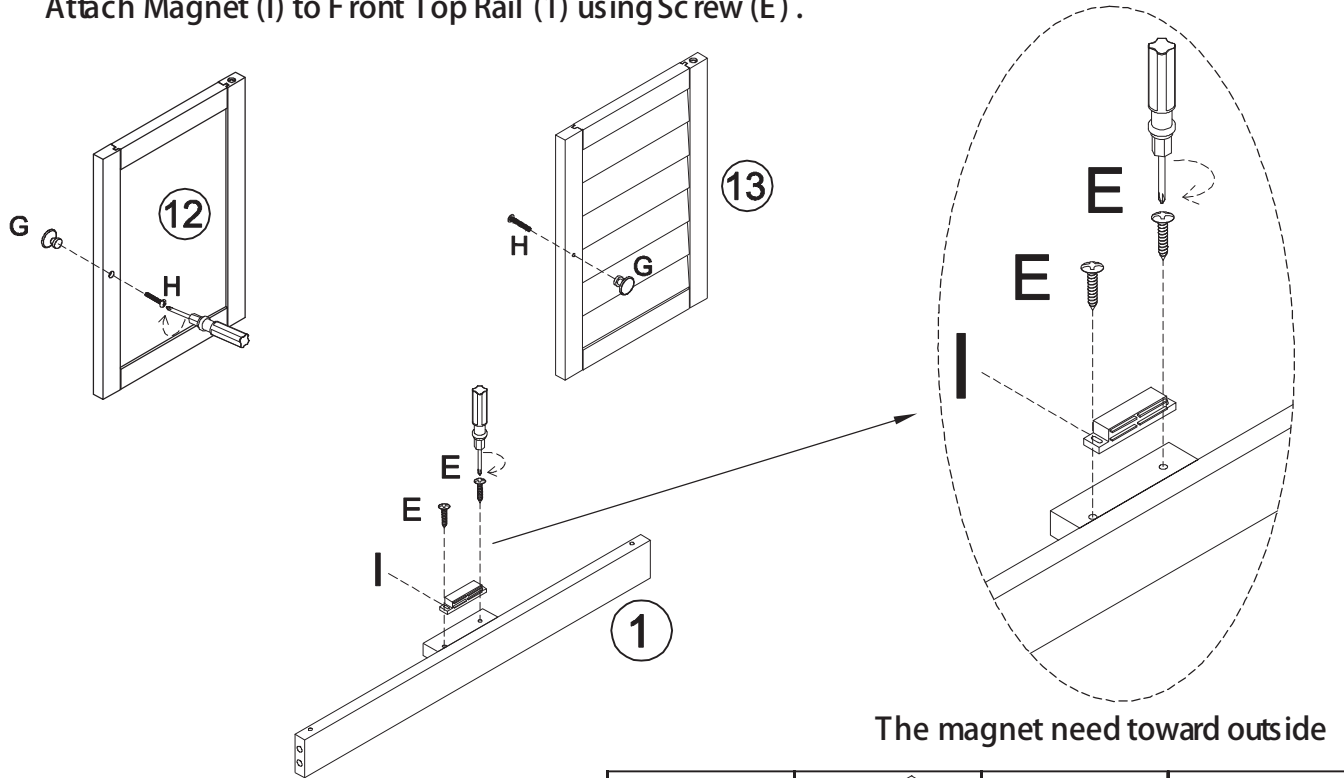
## ADDITIONAL TOOLS ( Not Provided)


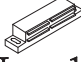


Note: It is not recommended to use power tools during assembly. However a screw gun can assist with mounting.



Phillips Head Screw Driver

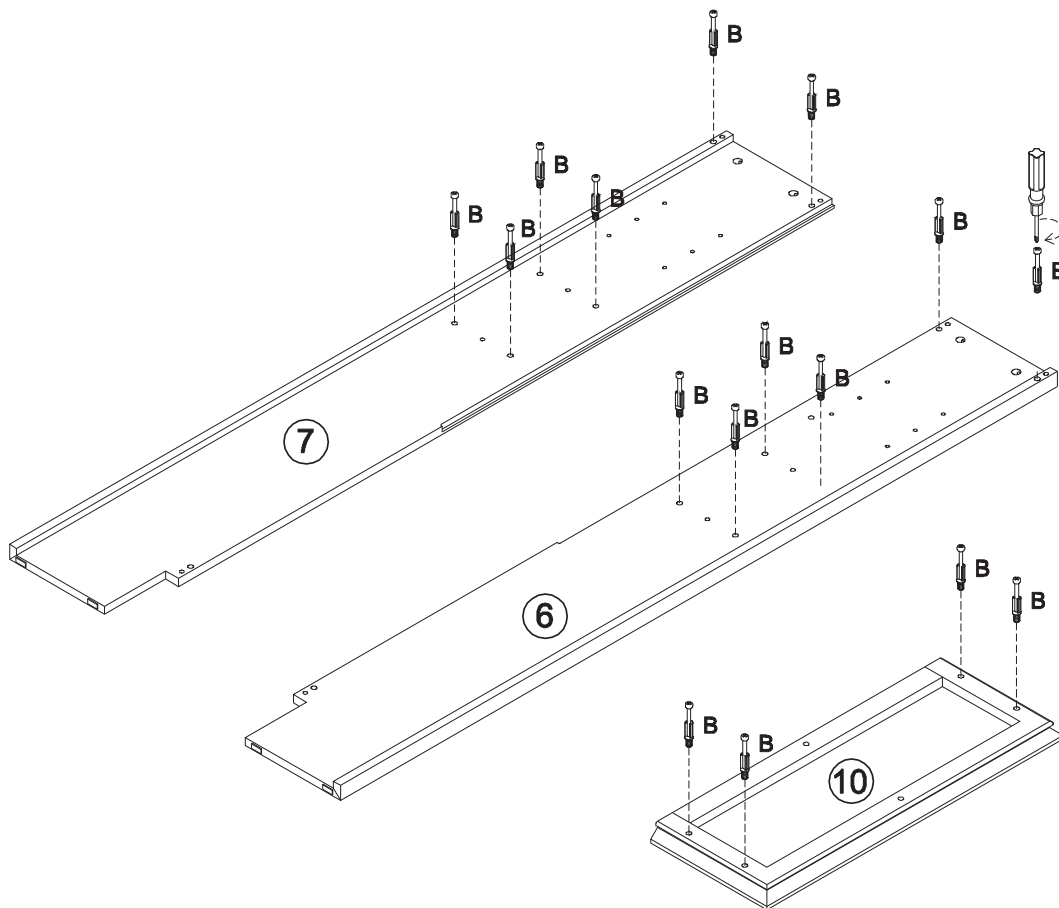
**Step 1.** Attach Knob (G) to Doors (12 & 13) using Round Head Bolt (H).  
Attach Magnet (I) to Front Top Rail (1) using Screw (E).




			
E x 2	I x 1	H x 2	G x 2

**Step 2.** Fix Cam Bolt (B) to Side Panels (6 & 7) and Top Panel (10), as shown.

**NOTE:** Do not overtighten cam bolts. Stop tightening once threads on cam bolt are no longer visible.

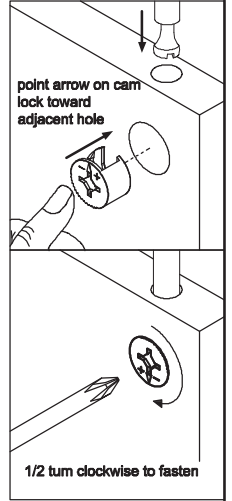
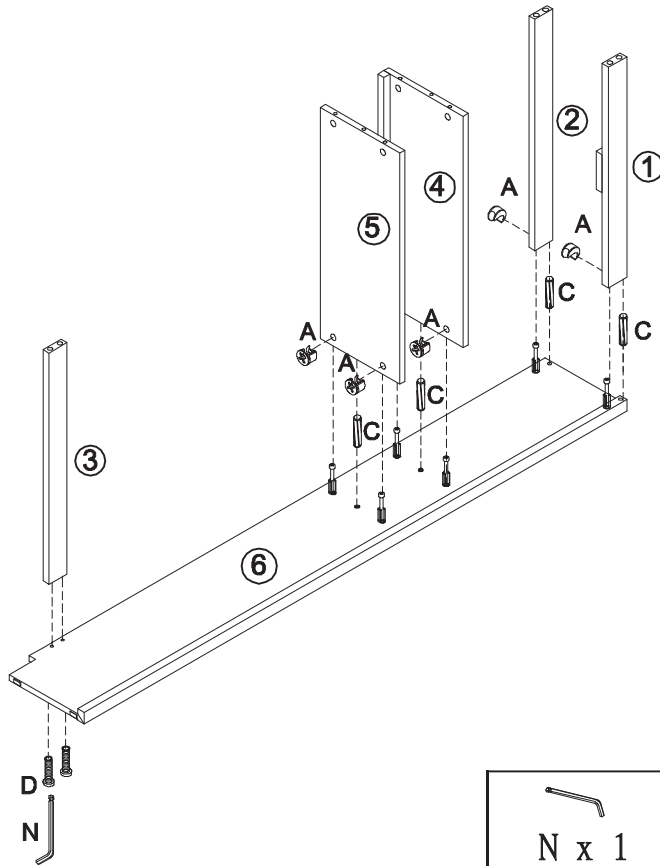




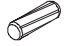

4


B x 16

**Step 3.** Attach Back Bottom Rail (3) to Right Side Panel (6) using Wood Bolt (D) and Allen Key (N). Attach Top Rail (1 & 2) and shelf (4 & 5) to Right Side Panel (6) using Wood Dowel (C) and Cam lock (A).

**NOTE:** Cam locks must rotate full 180°. See pictured insert.

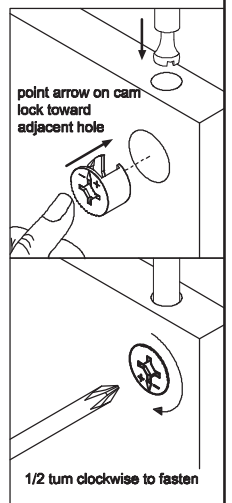
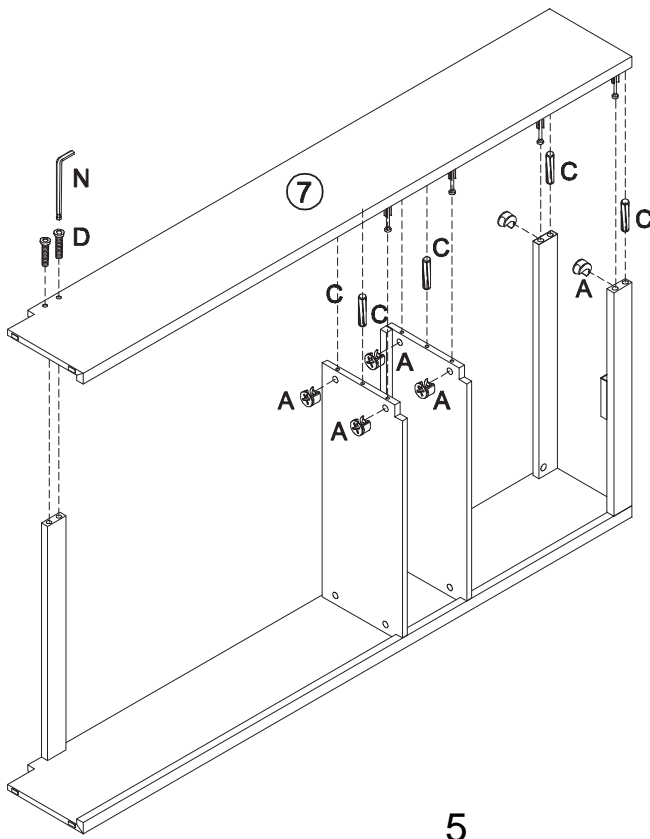



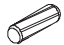

			
N x 1	A x 6	C x 4	D x 2

**Step 4.** Set Left Side Panel (7) into place using Wood Dowel (C), Bolt (D) and Cam lock (A).

**NOTE:** Once Left Side Panel are in place, fully tighten all Cam locks.

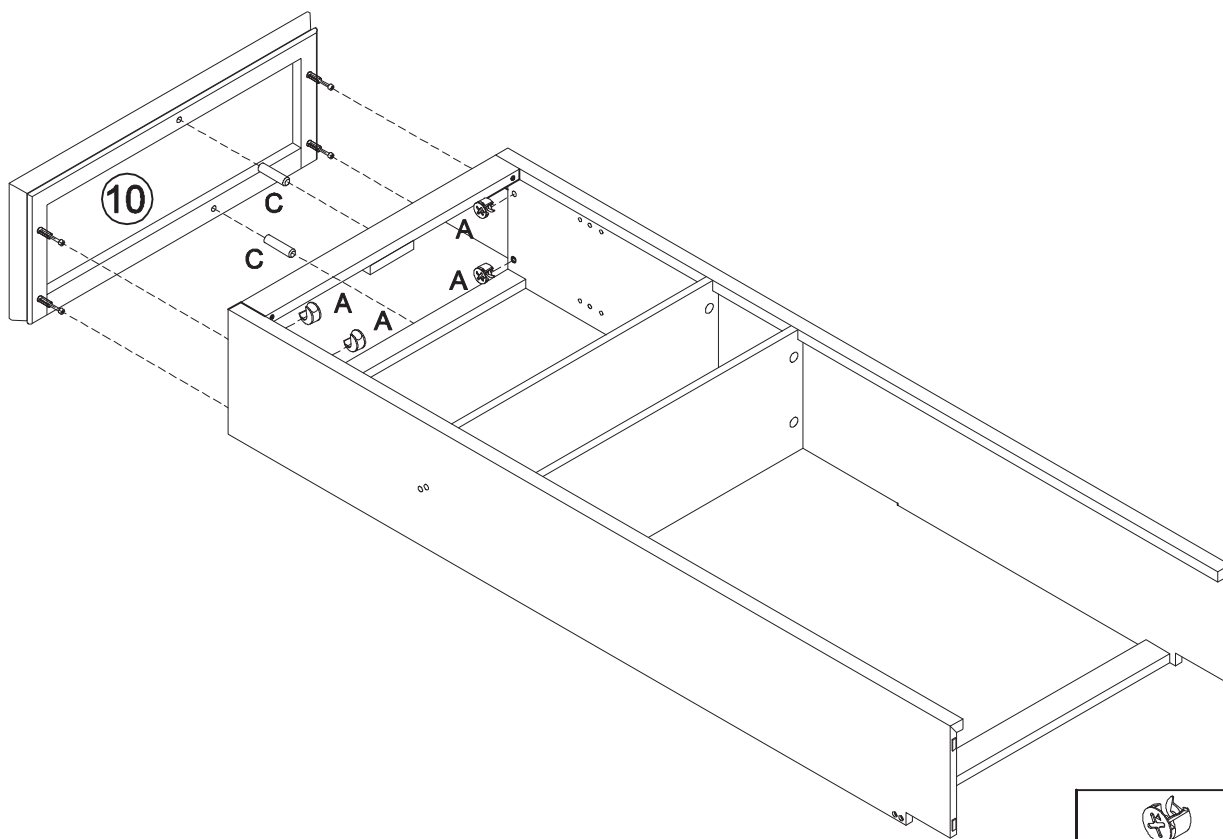
**NOTE:** Cam locks must rotate full 180°. See pictured insert.





		
A x 6	C x 4	D x 2

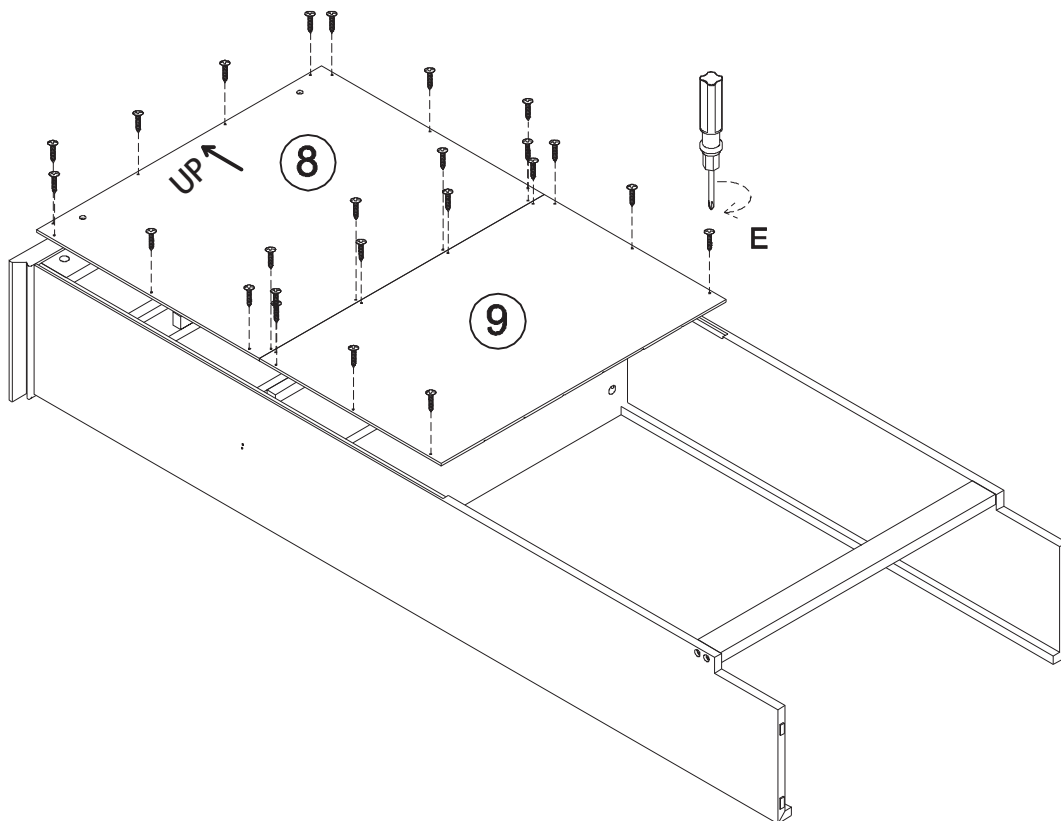
Step 5. Set Top Panel (10) into place using Wood Dowel (C) and Cam lock (A).

NOTE: Cam locks must rotate full 180°. See pictured insert.



 A x 4	 C x 2
--	--

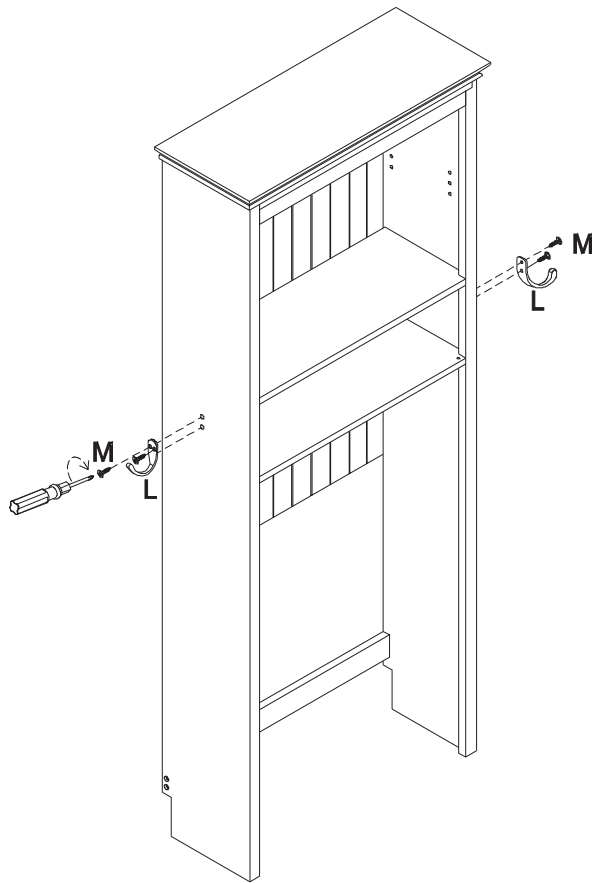
Step 6. Set Back Panel (8 & 9) into place using Screw (E).



6

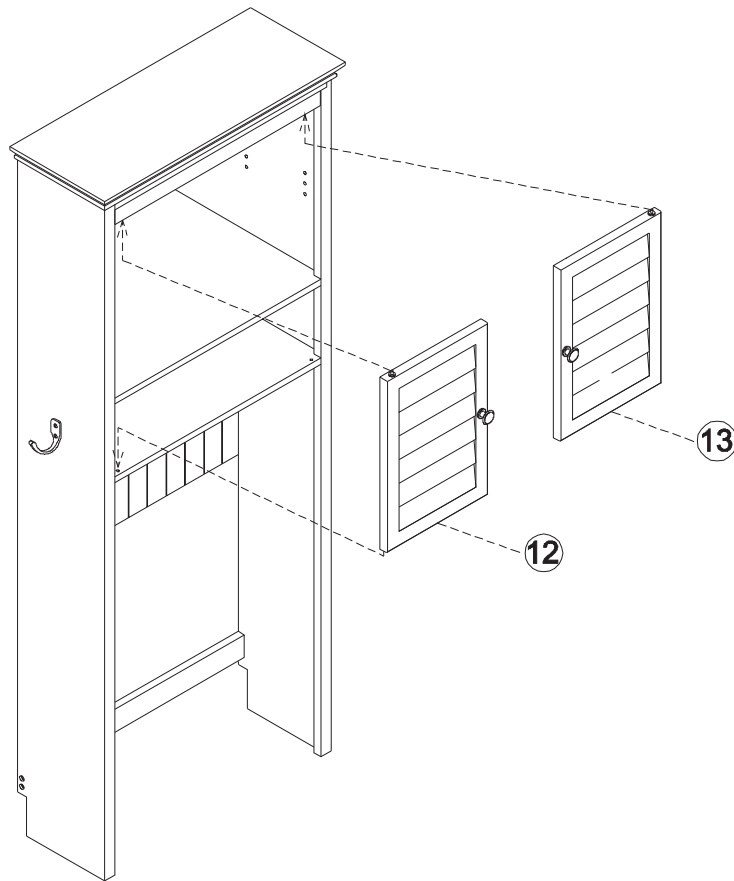
 E x 24
---

Step 7. Attach Hook (L) to Side Panels (6 & 7) using Screw (M).

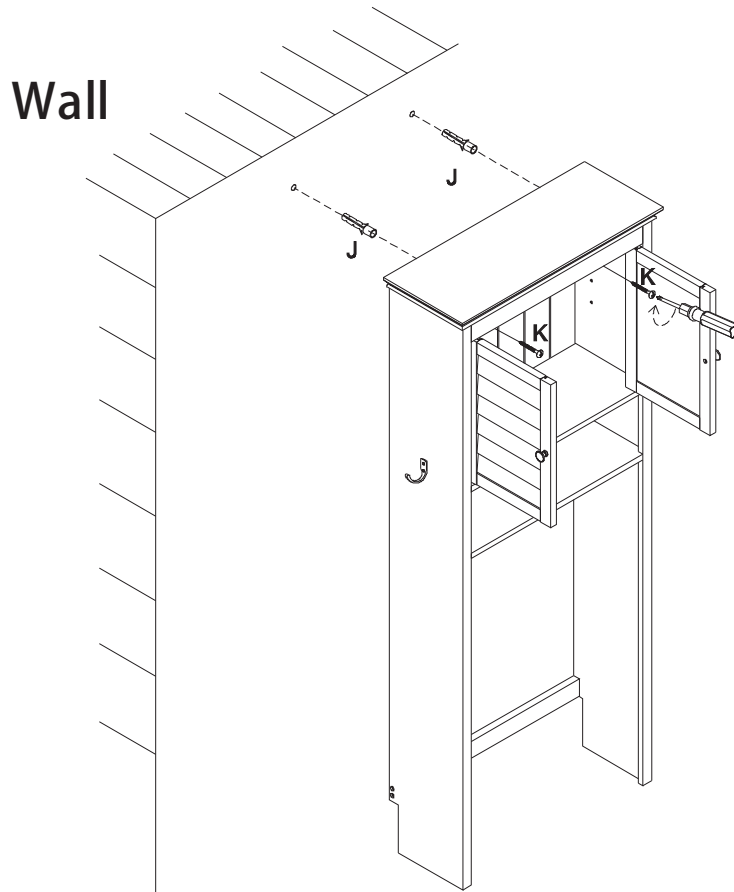


 M x 4	 L x 2
--	--

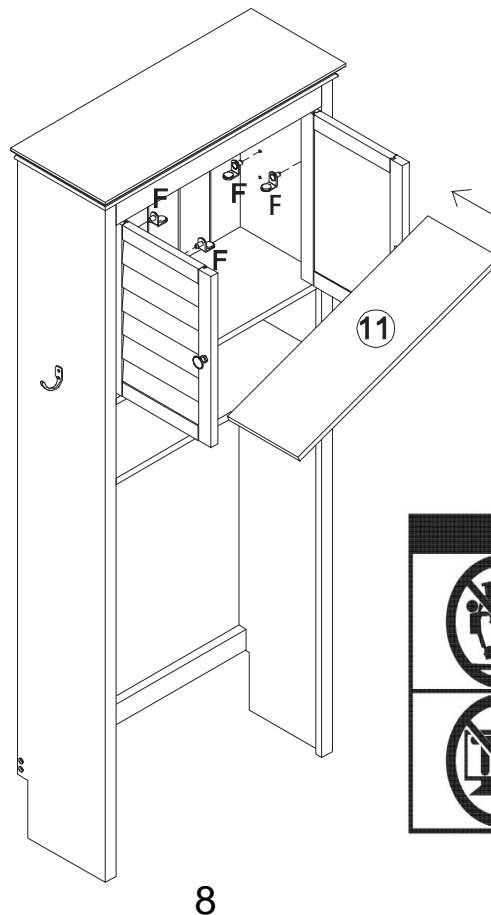
Step 8. Set Doors (12 & 13) into place.



**Step 9.** Drill two 11/32" holes where you want to secure your pantry. The hole should be at the same height as the hole in the back panel (Part #8) of this unit. Tap Wall Anchor (J) into the hole. Insert Screw (K) through Back Panel (8) into Wall Anchor (J).



**Step 10.** Attach Shelf Support (F) into the hole. Insert Shelf Panel (11) to place. Note: This item is not intended for clothing storage use.



<b>▲ WARNING</b>	
 	<p>Children have died from furniture tipover. To reduce the risk of furniture tipover:</p> <ul style="list-style-type: none"> <li>• ALWAYS install tipover restraint provided.</li> <li>• NEVER put a TV on this product.</li> <li>• NEVER allow children to stand, climb or hang on drawers, doors, or shelves.</li> <li>• NEVER open more than one drawer at a time.</li> <li>• Place heaviest items in the lowest drawers.</li> </ul> <p><i>This is a permanent label. Do not remove!</i></p>

